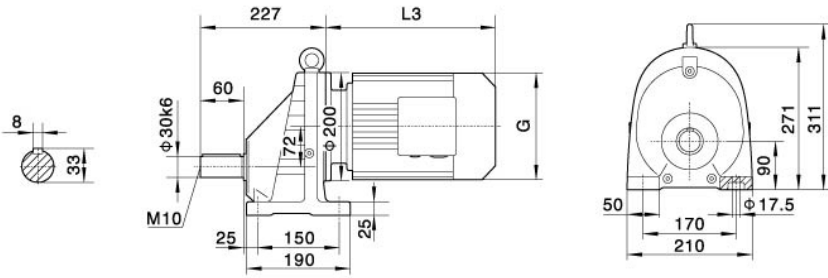
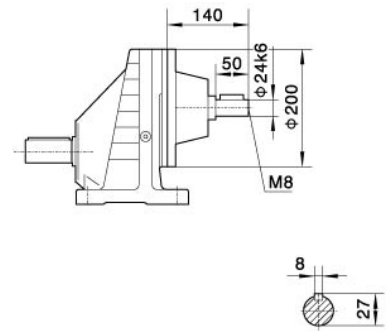


外形安装尺寸
Mounting Dimension Sheets-overview

RX77

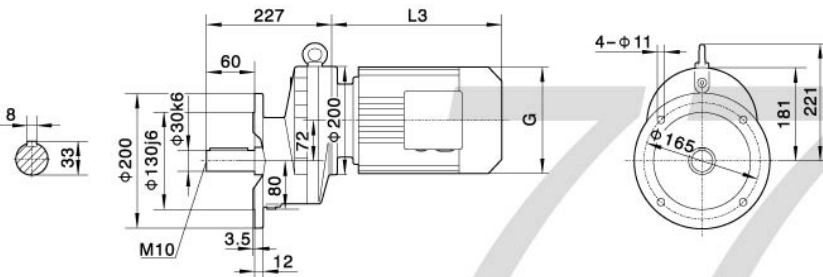


RX..S77



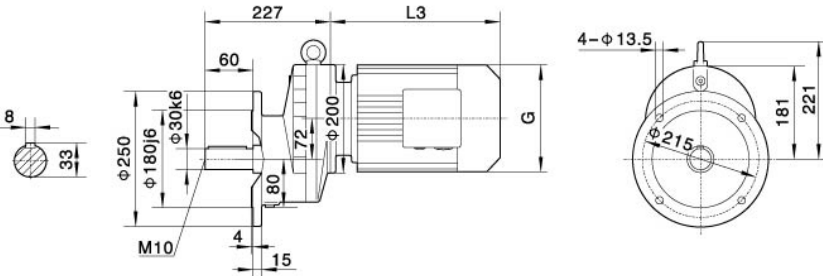
RXF77

Φ200



电机需方配时或配特殊电机时需加联接法兰
When equipping the user's motor or the special one, the flange is required to connected.

Φ250



注：其余尺寸见相应的结构形式
Note: For other values please refer to the oppsited structure

Y ₂ 电机机座号 Motor size	90S	90L	100	112M	132S	132M	160M	
功率/4P Power/(kW)	1.1	1.5	2.2 3.0	4.0	5.5	7.5	11	
L3	304	328	350	380	425	461	524	
G	195	195	215	240	275	275	330	
L2	81	81	93	93	101	101	126	

注：“RX..”表示RX、RXF
Note：“RX..”mean RX、RXF